

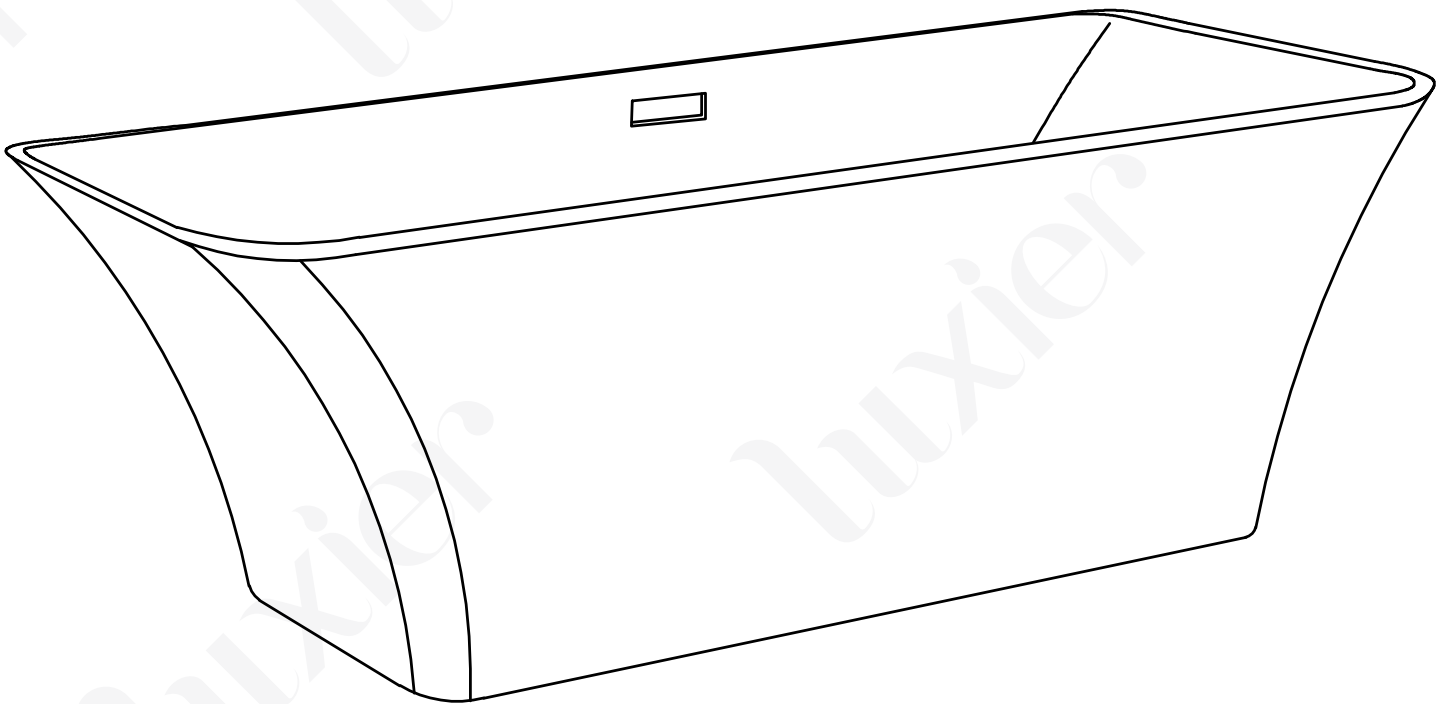
Freestanding Bathtub Installation and Care Guide

Features:

- Contemporary Freestanding Design
- Integrated Overflow System
- Adjustable Feet for Easy Installation

Materials:

- Acrylic / Fiberglass Composite



Thank you for purchasing Luxier products. Please read the information below and keep this installation guide for future reference. If you require assistance, please contact our customer service department at 1-877-711-8828, Monday - Friday 9 AM - 5 PM Pacific Time or by email at support@luxierusa.com.

Before You Begin

IMPORTANT:

- Read and understand this installation guide completely before installation. It will increase the chance of a successful installation.
- This product should be installed by professional installers.
- Observe all local plumbing and building codes.
- Prepare the floor with sufficient support and waterproofing the floor before installing this bathtub. The finished floor must be leveled.
- Make sure there is adequate space around the bathtub for bath faucet and future maintenance.
- Unpack and inspect the bathtub from the package for shipping damage and make sure all parts are included with the bathtub.
- Keep the bathtub and its accessories in the original package until installation.
- Rough in the drain with enough clearance before installation.
- Make sure the installation site is clean and free of dust and debris.

CAUTION:

- **Risk of personal injury! This bathtub is heavy, obtain help when moving and installing this bathtub.**

NOTICE:

- This installation guide is subject to change without notice, please contact us to request the most updated version of this installation guide.
- Product drawings in this installation guide are for illustration purpose only. Actual product may vary depends on model.
- This product is for residential use ONLY.
- Keep this installation guide for your records.

Tools (Recommended)

Tape Measure	Adjustable Wrench
Pencil / Marker	Silicon Sealant
Safety Glasses and Safety Shoes	Gloves
PTFE Tape	Level
Drop Cloth	Plumbers Putty

Parts

1. Freestanding Bathtub
2. Drain Assembly
3. Installation Guide

Important Safety Instructions

Risk of Personal Injury! Bathtub may become slippery when wet. Exercise caution when entering and exiting the bathtub. Do not overfill the bathtub before entering. Overfilling will cause overflow and slippery conditions.

Risk of Drowning! Do not leave children unattended when using the bathtub. Supervise small children at all time when using this bathtub.

Risk of Personal Injury! Accidental falls may occur. Handrails and other handicap accessories are recommended for seniors or persons with disabilities.

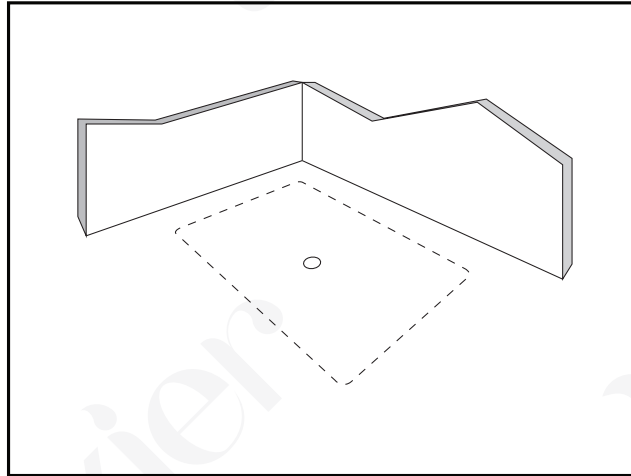
Risk of Electric Shock! Do not use any electrical appliances in or near the bathtub when bathtub containing water.

People using medications and/or having adverse medical conditions should consult a physician before using this product.

If you are or think you are pregnant, consult your doctor before using this product.

Installation - Site Preparation

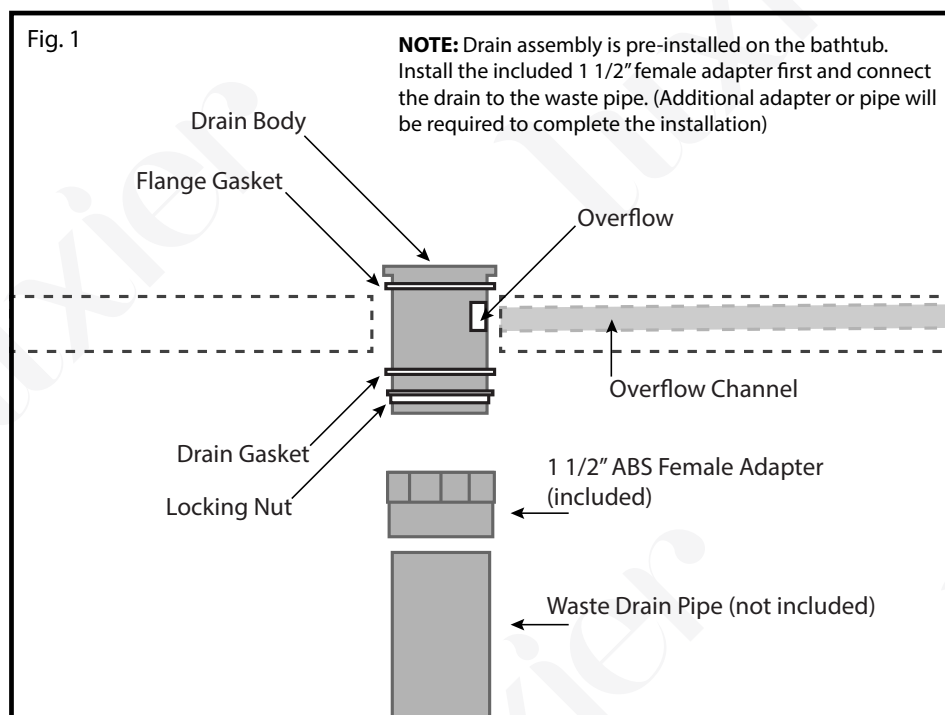
- Provide sufficient floor support. Check the floor at the installation site and make repairs as needed.
- Waterproof the floor is highly recommended. Finished floor must be level.
- Provide adequate clearance on all sides of the bathtub.
- Minimum of 2 inch waste drain pipe is required.



Installation - Drain Assembly

NOTICE: It is recommended to dry fit the parts before installation.

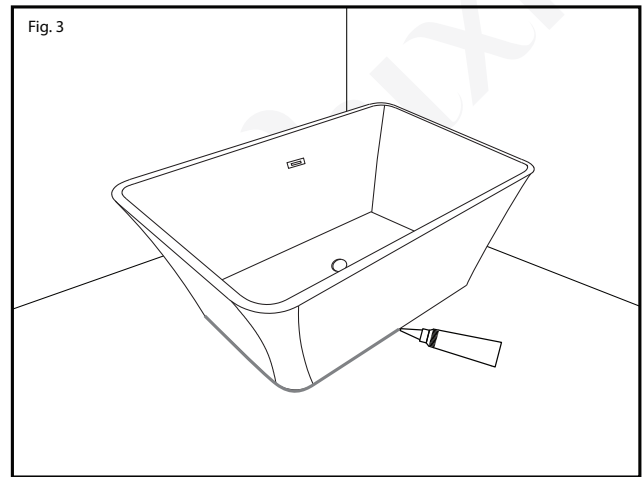
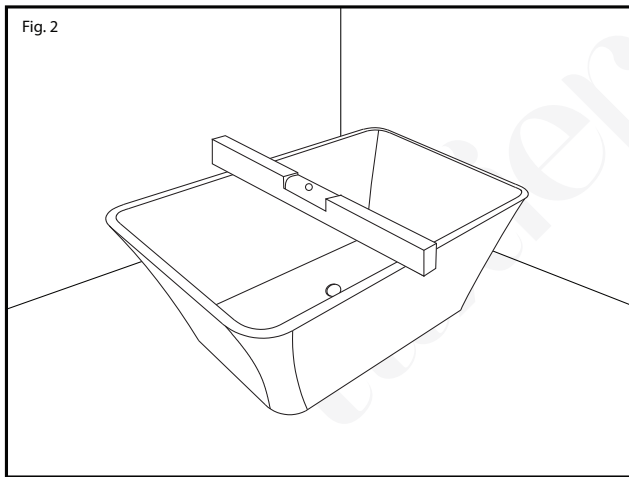
1. Place a large drop cloth on the floor to protect the bathtub.
2. With help, lift the bathtub and place it on its side. Secure the bathtub to prevent it from moving.
3. Connect the 1 1/2" female adapter as shown in figure 1. Wrap PTFE tape to the thread on the drain body and connect the adapter.
4. Upright the bathtub and carefully move it to the final installation position. (**NOTICE:** Do not drag the bathtub on the floor as it will damage the bathtub.)
5. Connect the drain assembly to the waste drain pipe. (**NOTICE:** additional connectors and pipes are needed to complete the installation.)



Installation - Bathtub

CAUTION: Risk of Personal Injury. Get extra help when moving the bathtub into its final position.

1. Use a level to make sure the bathtub is level in all direction. (Fig. 2)
2. Adjust the feet under the tub as needed.
3. It is recommended to leave a 1/16" to 1/8" gap all around the base of the bathtub.
4. Close the drain and remove any debris or plastic films from the tub. Wipe the surface clean with a piece of soft cloth.
5. Fill the tub with some water and test the drainage to make sure the water drains freely. Also check for any leaks around the drain and pipe. (**NOTE:** Due to surface tension, it is normal for a small amount of water to pool around the drain)
6. Apply a continuous bead of clear or color matching silicon sealant around the base of the bathtub to complete the installation. (Fig. 3) (**NOTE:** let silicon sealant cure for at least 12 hours before using the tub.)



Care and Cleaning

- Most dirt will wash off with mild soap and warm water.
- For tough spots, use liquid dish washing soap or non-chlorine bleach.
- Do not use abrasive material such as steel wool or scouring pads to clean the acrylic surface.
- Always test the cleaning solution on a small area before using it on the entire surface.
- Do not allow cleaning to soak on the acrylic surface.
- Rinse thoroughly with water immediately and wipe dry with soft cloth.

Repair and Maintenance

- Use liquid polish compound such as Gel-Gloss Kitchen and Bath Polish™ to keep the original shine of acrylic surface.
- Light scratches can be removed with polishing compound for automobiles.
- For deeper scratches use wet sandpaper (1500 grit or higher). Always add water when sanding and lightly sand the area larger than the scratch in a circular motion to remove the scratches. Repeat until the scratch is removed. Use soft cloth and small amount of polishing compound to restore shine. Repeat as needed until surface shine is restored.

Warranty

Thank you for purchasing Luxier products. Please read the information below and keep this installation guide for future reference. If you require assistance, please contact our customer service department at 1-877-711-8828, Monday - Friday 9 AM - 5 PM Pacific Time. Or by email at support@luxierusa.com.

Limited One Year (1) Warranty (For USA Only)

The manufacturer warrants this product to be free of manufacture defects during daily normal household use for a period of one (1) year to the original purchaser of this product. Please keep a copy of the original invoice as proof of purchase.

Should a malfunction occur within the warranty period, Luxier USA will, as its option, (1) repair or replace the defective part(s) or product(s) at no charge; (2) issue a refund of the original purchase price of the product(s) (Valid within 30 days from the date of purchase); or (3) issue a credit to be applied toward the purchase of a new Décor Star product. Shipping/delivery charges may apply and are in Luxier USA's sole discretion.

This limited warranty shall not apply to goods which have been subject to accident, negligence, improper installation, product abuse, product misuse, or use of cleaners containing abrasives, alcohol or other organic solvents, whether performed by a contractor, service company, or yourself, are excluded from this warranty.

Our responsibility under this limited warranty is limited to only to replacement parts and no other costs. Luxier USA will not be responsible for labor charges and/or damage incurred by installation, repair or replacement, nor for any indirect incidental or consequential damages, losses, injury or costs of any nature relating to this product. Except as provided by law, this limited warranty is in lieu of and excludes all other warranties, conditions, and guarantees, whether expressed or implied, statutory or otherwise, including without restriction those merchantability of fitness for use.

This limited warranty is non-transferable. This limited warranty only applies to products purchased and installed in the United States. This limited warranty covers the original consumer purchase only and does not include business, commercial or industrial use of this product. To obtain service under the Limited Warranty, please contact Luxier USA at support@luxierusa.com or 1-877-711-8828. The Luxier USA Customer Care Department will determine whether to repair or replace your product, issue a refund, or issue a credit.